



# > Invisacta

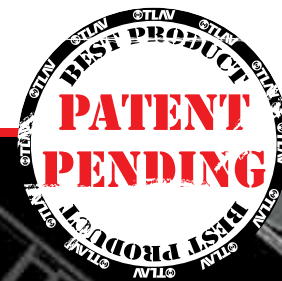
Concealed hinge



OTLAV is glad to present the new concealed hinge called "Invisacta" meant for flush doors. These new hinges with **minimal amount** of space and **great reversibility** represent the best solution when design, versatility and strength are required.



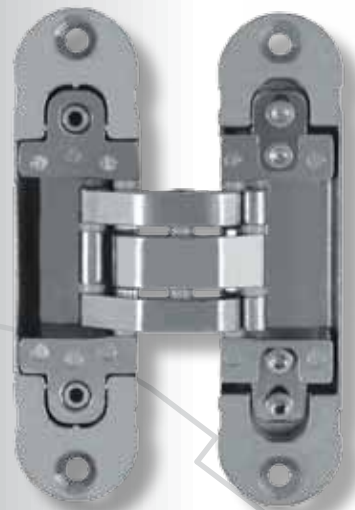
Via Angelo Padovan, 2/P.O. Box 64  
31025 S. Lucia di Piave (TV) - Italy  
Tel +39 0438 4611 r.a.  
Fax +39 0438 439252  
[www.otlav.com](http://www.otlav.com) - [sales@otlav.it](mailto:sales@otlav.it)



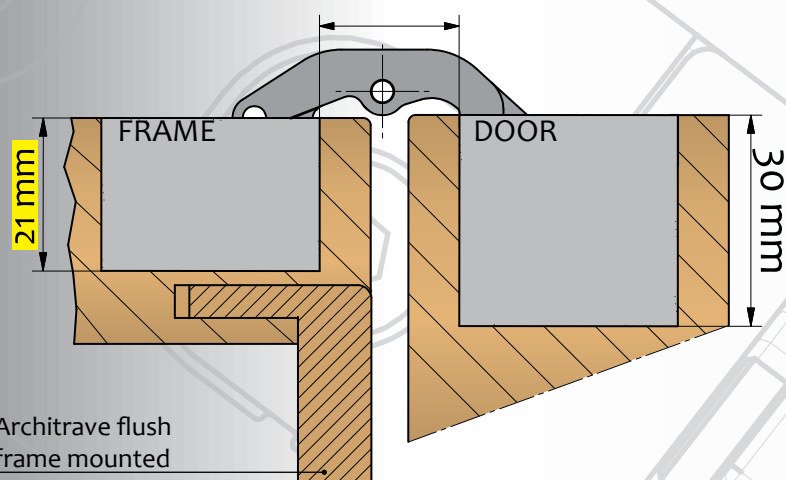
Door opening angle: 180°

# Invisacta has born,

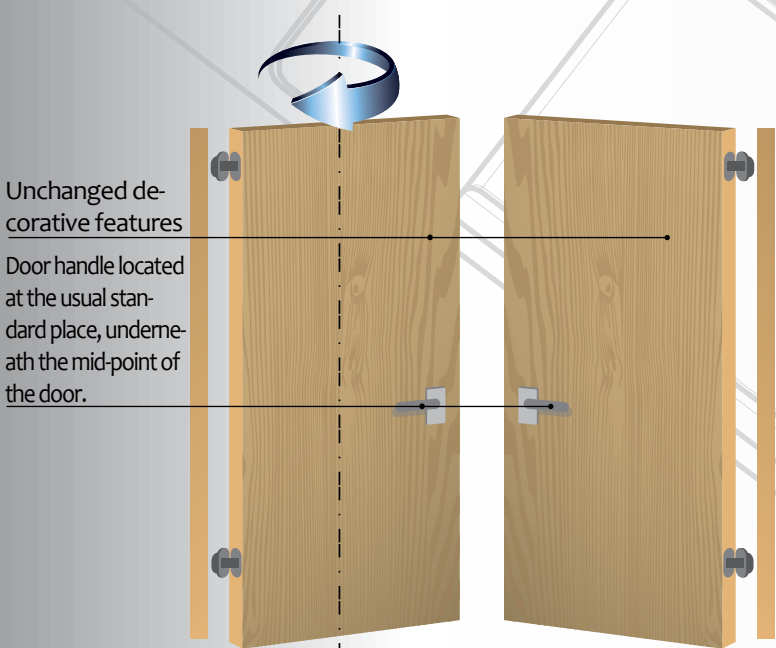
## The new OTLAV concealed hinge



18/20 mm



Architrave flush frame mounted



Unchanged decorative features

Door handle located at the usual standard place, underneath the mid-point of the door.

OTLAV has always been focused on advanced technological research and now is on the market with a new line of concealed hinges called "Invisacta".

This highly innovative project is characterized by cutting-edge construction solutions that offer **strength and high versatility**.

"Invisacta" represents a brilliant solution for straight-lined interior design by enhancing the look of the door.

### MINIMAL DIMENSIONS

Slot on frame side : 21 mm

A 21 mm depth slot on the frame side makes it unique and enables its perfect integration in reduced spaces. No need to cut the architrave which can be flush mounted.

### REVERSIBILITY

Hinges offer reversibility of door, both on vertical and horizontal axis.

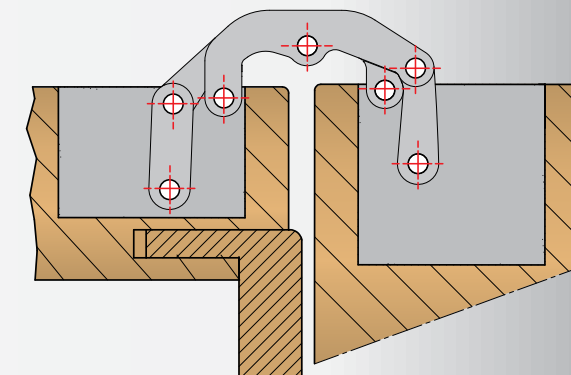
**Vertical axis reversibility :** with hinges centered in the panel thickness, the handle can be placed at any height and decorative parts are unaffected.

**Horizontal axis reversibility:** When hinge housing is not centered on the panel, the handle must be placed in the middle of the door.

### 7 JUNCTION FULCRUMS

No sliding wear

7 fulcrum points allow little friction, good flow, solidity and high loading capacity; no contact between the different bearing units thanks to **nylon bushes with high friction resistance**.



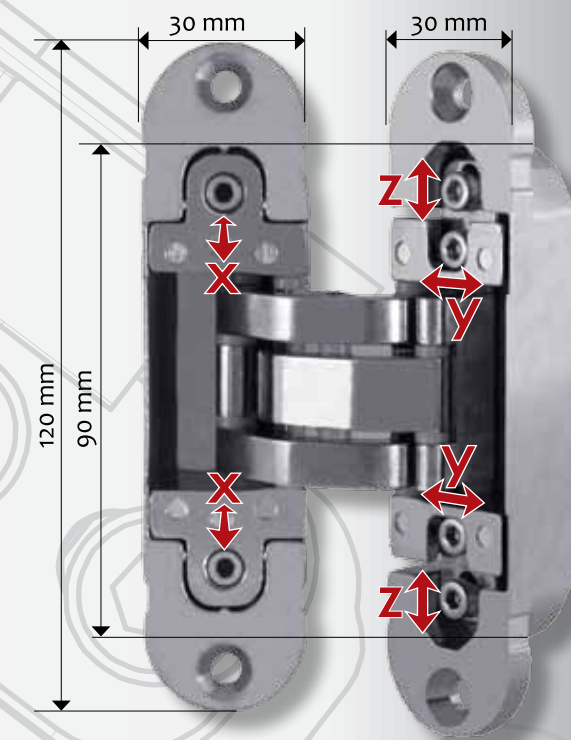
### 3 ADJUSTMENTS

Only one hex spanner

X - Side adjustment :  $\pm 1$  mm.

Y - Depth adjustment or sealing crushing :  $\pm 1$  mm.

Z - Height adjustment :  $\pm 2$  mm.

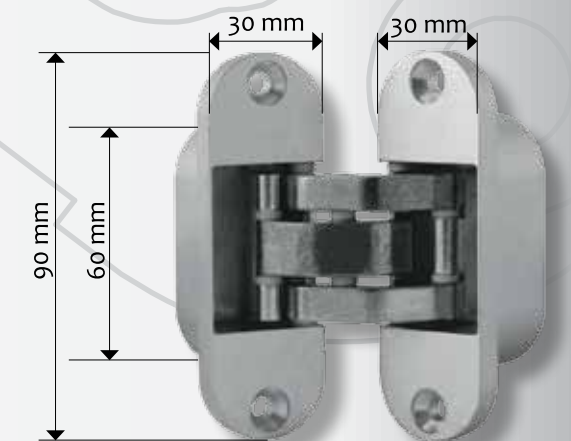


### RANGE

Invisacta line is also available in not adjustable version. Additional versions will be soon presented.



**Aluminum caps** available to conceal the adjustable screws.



Available in white zinc finishing. Other finishes also available on request. Capacity - adjustable version : 50 kg. Capacity - non-adjustable version : 35 kg. Door opening angle : 180°.